

GEN100WUV12V

Constant Voltage, 100W, 0 - 8A,
Non-Dimmable



Description

Driver Type: Constant Voltage	Total Output Power: 60W
Input Voltage Range: 120~277Vac +/- 10%	Selectable Outputs: 1
Dimming: Non-Dimming	Warranty: 5 years
Certifications: UL8750; UL879 IP20 dry/damp	Protections: temperature; current; short circuit

Applications

Signage • High Bay

Performance Specifications

Model Number	Max Output Power	Output Current	Output Voltage	Efficiency	Remote Mounting Distance (#18AWG)	Class 2	
						US	Canada
GEN100WUV12V	60W	0 - 8A	12V	85%	7 ft.	✓	✓

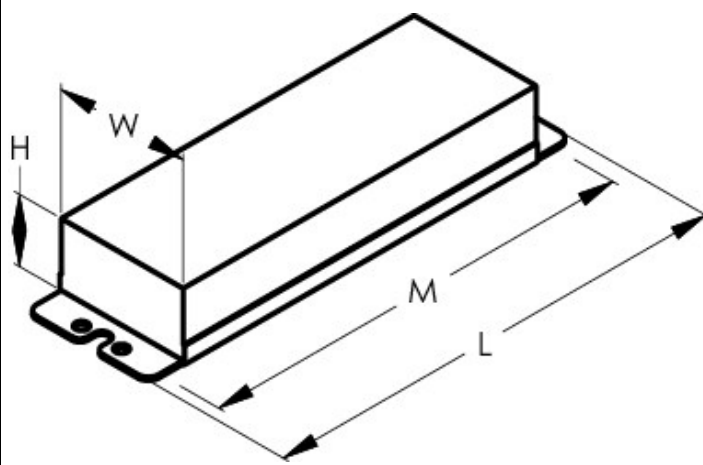
ELECTRICAL SPECIFICATIONS:		ENVIRONMENTAL SPECIFICATIONS/ SAFETY AND EMC COMPLIANCE:	
Input Voltage Range:	120~277Vac ± 10%	Operating Temperature:	-30 to 60°C
Frequency:	50/60Hz	Storage Temperature:	-40 to 85°C
Power Factor:	>0.9 @full load	Humidity:	5% to 95%
Inrush Current:	20A @230V	MTBF:	299,000 hours at 40°C ambient (~70°C Case temp)
Max Input Current:	0.65A @120V	Maximum Case Temperature:	90°C
THD:	<20%	UL/cUL	UL 8750 and UL879
Protection:	Over Temperature, Over Current, and Short Circuit	FCC, 47CFR Part 15	Class B Consumer Limit
Withstand Voltage:	I/P – O/P 2k Vac	EN61000-3-2	

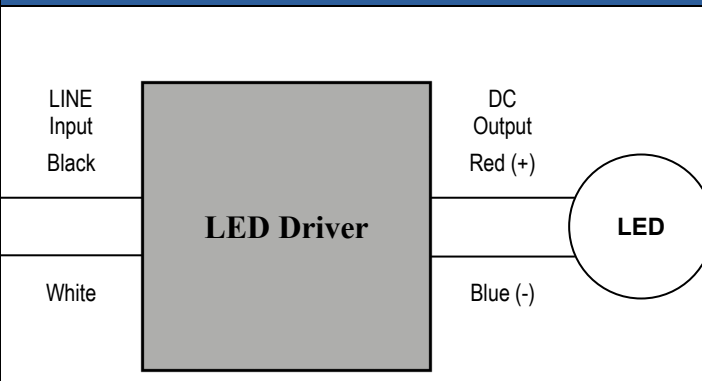
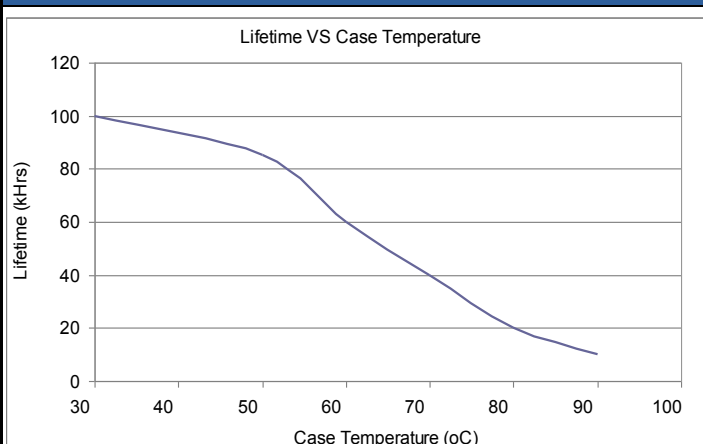
GEN100WUV12V

Constant Voltage, 100W, 0 - 8A,
Non-Dimmable

2601 Wayne Street, Endicott, NY 13760 • www.ERGLighting.com • 1-800-215-5866

PHYSICAL DIMENSIONS:	
Length (L):	9.50"
Width (W):	1.70"
Height (H):	1.15"
Mounting (M):	8.90"
Weight:	0.50 kg
WIRE SPECIFICATIONS:	
Input:	12", UL 1316 #18AWG (Black and White)
Output:	12", UL 1316 #18AWG (Red and Blue)



WIRING DIAGRAM	LIFETIME vs CASE TEMPERATURE:																
	 <table border="1"> <caption>Lifetime VS Case Temperature Data</caption> <thead> <tr> <th>Case Temperature (oC)</th> <th>Lifetime (kHrs)</th> </tr> </thead> <tbody> <tr><td>30</td><td>100</td></tr> <tr><td>40</td><td>95</td></tr> <tr><td>50</td><td>85</td></tr> <tr><td>60</td><td>60</td></tr> <tr><td>70</td><td>40</td></tr> <tr><td>80</td><td>20</td></tr> <tr><td>90</td><td>10</td></tr> </tbody> </table>	Case Temperature (oC)	Lifetime (kHrs)	30	100	40	95	50	85	60	60	70	40	80	20	90	10
Case Temperature (oC)	Lifetime (kHrs)																
30	100																
40	95																
50	85																
60	60																
70	40																
80	20																
90	10																