

# ERG

**Driving Your Vision**  
A division of Endicott Research Group, Inc.

## Lighting™

2601 Wayne Street, Endicott, NY 13760 • www.ERGLighting.com • 1-800-215-5866

## GEN24WUV24V

**Constant Voltage, 24W, 0 - 2A,  
Non-Dimmable**



### Description

<b>Driver Type:</b> Constant Voltage	<b>Total Output Power:</b> 24W
<b>Input Voltage Range:</b> 120~277Vac +/- 10%	<b>Selectable Outputs:</b> 1
<b>Dimming:</b> Non-Dimming	<b>Warranty:</b> 5 years
<b>Certifications:</b> UL8750; UL879 IP20 dry/damp	<b>Protections:</b> temperature; current; short circuit

### Applications

Signage • High Bay

### Performance Specifications

Model Number	Max Output Power	Output Current	Output Voltage	Efficiency	Remote Mounting Distance (#18AWG)	Class 2	
						US	Canada
GEN24WUV24V	24W	0 - 2A	24V	80%	19 ft.	✓	✓

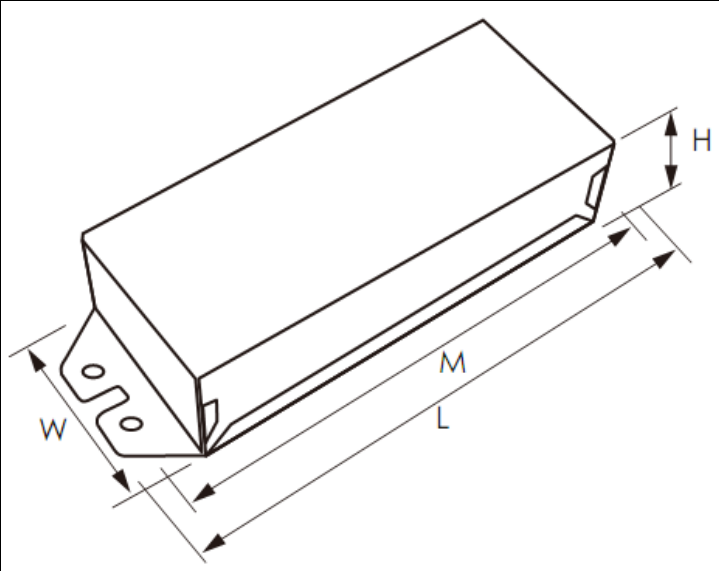
ELECTRICAL SPECIFICATIONS:		ENVIRONMENTAL SPECIFICATIONS/ SAFETY AND EMC COMPLIANCE:	
<b>Input Voltage Range:</b>	120~277Vac ± 10%	<b>Operating Temperature:</b>	-30 to 60°C
<b>Frequency:</b>	50/60Hz	<b>Storage Temperature:</b>	-40 to 85°C
<b>Power Factor:</b>	>0.9 @full load	<b>Humidity:</b>	5% to 95%
<b>Inrush Current:</b>	7A @230V	<b>MTBF:</b>	376,000 hours at 40°C ambient (~70°C Case temp)
<b>Max Input Current:</b>	0.27A @120V	<b>Maximum Case Temperature:</b>	90°C
<b>THD:</b>	<20%	<b>UL/cUL</b>	UL 8750 and UL879
<b>Protection:</b>	Over Temperature, Over Current, and Short Circuit	<b>FCC, 47CFR Part 15</b>	Class B Consumer Limit
<b>Withstand Voltage:</b>	I/P – O/P 2k Vac	<b>EN61000-3-2</b>	

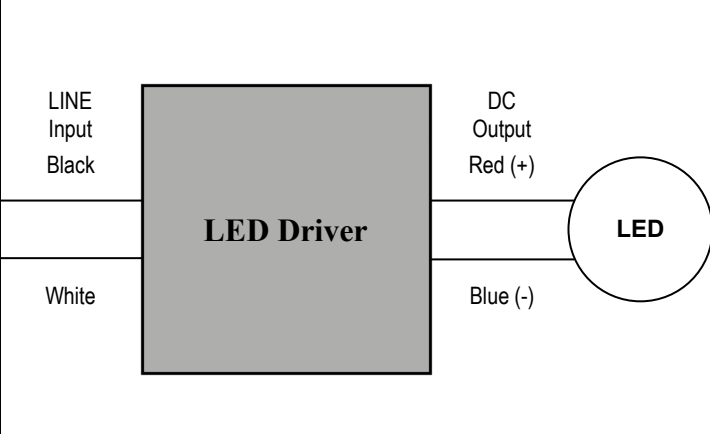
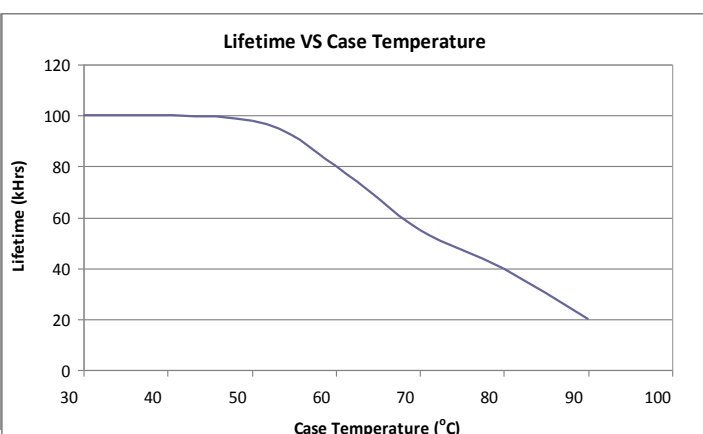
## GEN24WUV24V

**Constant Voltage, 24W, 0 - 2A,  
Non-Dimmable**

2601 Wayne Street, Endicott, NY 13760 • www.ERGLighting.com • 1-800-215-5866

PHYSICAL DIMENSIONS:	
Length (L):	4.80"
Width (W):	1.58"
Height (H):	0.96"
Mounting (M):	4.29"
Weight:	0.22 kg
WIRE SPECIFICATIONS:	
Input:	12", UL 1316 #18AWG (Black and White)
Output:	12", UL 1316 #18AWG (Red and Blue)



WIRING DIAGRAM	LIFETIME vs CASE TEMPERATURE:																
	 <table border="1"> <caption>Lifetime VS Case Temperature Data</caption> <thead> <tr> <th>Case Temperature (°C)</th> <th>Lifetime (khrs)</th> </tr> </thead> <tbody> <tr><td>30</td><td>100</td></tr> <tr><td>40</td><td>100</td></tr> <tr><td>50</td><td>100</td></tr> <tr><td>60</td><td>85</td></tr> <tr><td>70</td><td>60</td></tr> <tr><td>80</td><td>40</td></tr> <tr><td>90</td><td>20</td></tr> </tbody> </table>	Case Temperature (°C)	Lifetime (khrs)	30	100	40	100	50	100	60	85	70	60	80	40	90	20
Case Temperature (°C)	Lifetime (khrs)																
30	100																
40	100																
50	100																
60	85																
70	60																
80	40																
90	20																