

# ERG Lighting™

**Driving Your Vision**

A division of Endicott Research Group, Inc.

## GEN25W120V1A-FP

Constant Current, 25W, 1000mA,  
Dimmable

2601 Wayne Street, Endicott, NY 13760 • www.ERGLighting.com • 1-800-215-5866



### Description

<b>Driver Type:</b> Constant Current	<b>Total Output Power:</b> 25W
<b>Input Voltage Range:</b> 120Vac +/- 10%	<b>Selectable Outputs:</b> 1
<b>Dimming:</b> TRIAC	<b>Warranty:</b> 5 years
<b>Certifications:</b> UL8750; IP20 or IP66 dry/damp	<b>Protections:</b> voltage; current; short circuit

### Applications

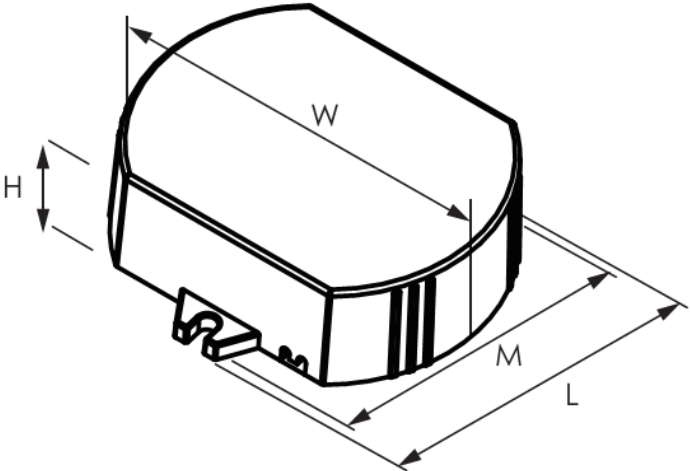
Downlight • Flush Mount • Wall Pack

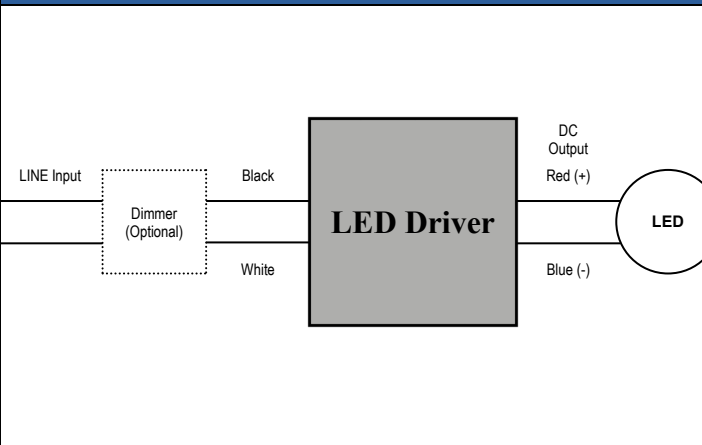
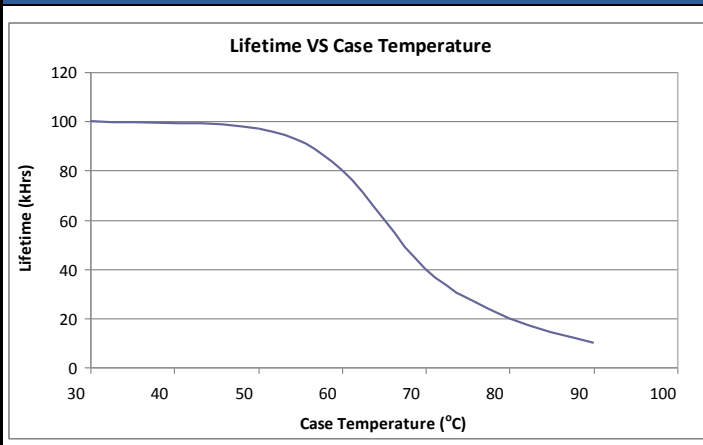
### Performance Specifications

Model Number	Max Output Power	Output Current	Output Voltage	Efficiency	Remote Mounting Distance (#18AWG)	Class 2	
						US	Canada
GEN25W120V1A-FP	25W	1000mA	8 - 25V	81%	38 ft.	✓	✓

ELECTRICAL SPECIFICATIONS:		ENVIRONMENTAL SPECIFICATIONS/ SAFETY AND EMC COMPLIANCE:	
<b>Input Voltage Range:</b>	120Vac ± 10%	<b>Operating Temperature:</b>	-30 to 60°C
<b>Frequency:</b>	50/60Hz	<b>Storage Temperature:</b>	-40 to 85°C
<b>Power Factor:</b>	>0.9 @full load	<b>Humidity:</b>	5% to 95%
<b>Inrush Current:</b>	2A @120V	<b>MTBF:</b>	374,000 hours at 40°C ambient (~70°C Case temp)
<b>Max Input Current:</b>	0.29A @120V	<b>Maximum Case Temperature:</b>	90°C
<b>THD:</b>	<20%	<b>UL/cUL</b>	UL 8750
<b>Protection:</b>	Over Voltage, Over Current, and Short Circuit	<b>FCC, 47CFR Part 15</b>	Class B Consumer Limit
<b>Withstand Voltage:</b>	I/P – O/P 2k Vac	<b>EN61000-3-2</b>	

PHYSICAL DIMENSIONS:	
Length (L):	3.07"
Width (W):	3.15"
Height (H):	1.00"
Mounting (M):	2.76"
Weight:	0.19 kg
WIRE SPECIFICATIONS:	
Input:	12", UL 1316 #18AWG (Black and White)
Output:	12", UL1430 #22AWG with Class 2 output 12", UL1569 #18AWG with Non-Class 2 output (Red and Blue)



WIRING DIAGRAM	LIFETIME vs CASE TEMPERATURE:																
	 <table border="1"> <caption>Lifetime VS Case Temperature Data</caption> <thead> <tr> <th>Case Temperature (°C)</th> <th>Lifetime (kHrs)</th> </tr> </thead> <tbody> <tr><td>30</td><td>100</td></tr> <tr><td>40</td><td>100</td></tr> <tr><td>50</td><td>100</td></tr> <tr><td>60</td><td>90</td></tr> <tr><td>70</td><td>40</td></tr> <tr><td>80</td><td>20</td></tr> <tr><td>90</td><td>10</td></tr> </tbody> </table>	Case Temperature (°C)	Lifetime (kHrs)	30	100	40	100	50	100	60	90	70	40	80	20	90	10
Case Temperature (°C)	Lifetime (kHrs)																
30	100																
40	100																
50	100																
60	90																
70	40																
80	20																
90	10																