



Driving Your Vision

A division of Endicott Research Group, Inc.

GEN50WUV1.4A-D

Constant Current, 50W, 1400mA,
Dimmable

2601 Wayne Street, Endicott, NY 13760 • www.ERGLighting.com • 1-800-215-5866



Description

Driver Type: Constant Current	Total Output Power: 50W
Input Voltage Range: 120~277Vac +/- 10%	Selectable Outputs: 1
Dimming: 0 - 10V	Warranty: 5 years
Certifications: UL8750; IP20 dry/damp	Protections: voltage; current; short circuit

Applications

General Lighting • Downlight • Flush Mount • Troffer
Linear Fixture • Wall Pack

Performance Specifications

Model Number	Max Output Power	Output Current	Output Voltage	Efficiency	Remote Mounting Distance (#18AWG)	Class 2	
						US	Canada
GEN50WUV1.4A-D	50W	1400mA	18 - 36V	84%	27 ft.	✓	✓

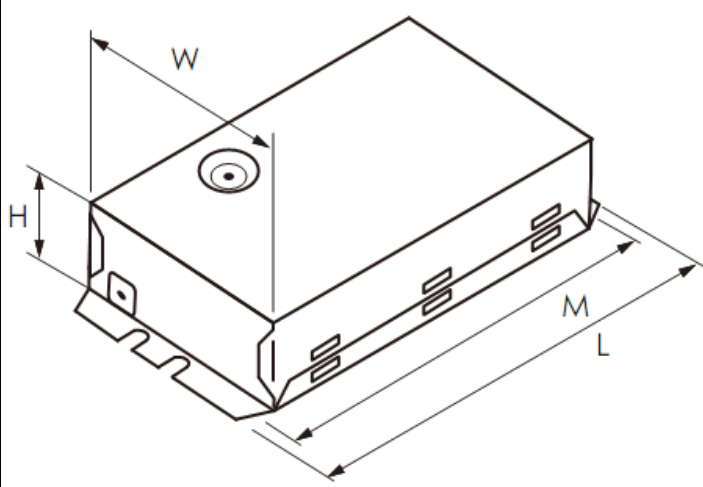
ELECTRICAL SPECIFICATIONS:		ENVIRONMENTAL SPECIFICATIONS/ SAFETY AND EMC COMPLIANCE:	
Input Voltage Range:	120~277Vac ± 10%	Operating Temperature:	-30 to 60°C
Frequency:	50/60Hz	Storage Temperature:	-40 to 85°C
Power Factor:	>0.9 @full load	Humidity:	5% to 95%
Inrush Current:	30A @230V	MTBF:	299,000 hours at 40°C ambient (~70°C Case temp)
Max Input Current:	0.54A @120V	Maximum Case Temperature:	90°C
THD:	<20%	UL/cUL	UL 8750
Protection:	Over Voltage, Over Current, and Short Circuit	FCC, 47CFR Part 15	Class B Consumer Limit
Withstand Voltage:	I/P – O/P 2k Vac	EN61000-3-2	

GEN50WUV1.4A-D

Constant Current, 50W, 1400mA,
Dimmable

2601 Wayne Street, Endicott, NY 13760 • www.ERGLighting.com • 1-800-215-5866

PHYSICAL DIMENSIONS:	
Length (L):	5.00"
Width (W):	3.00"
Height (H):	1.38"
Mounting (M):	4.63"
Weight:	0.63 kg
WIRE SPECIFICATIONS:	
Input:	12", UL 1316 #18AWG (Black and White)
Output:	12", UL 1316 /1430 #22AWG (Red and Blue)
Dimming:	12"UL 1316/1430 #22AWG (Purple and Grey)



WIRING DIAGRAM	LIFETIME vs CASE TEMPERATURE:
